

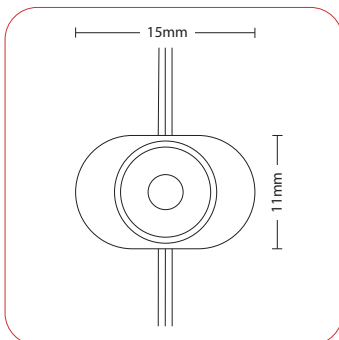
## FEATURES

- Highest Quality LED's
- Anti-Corrosive Copper Feet
- Commercial Grade Clear PVC Body
- Warm White or Auto RGB
- Cuttable Every LED
- Low Heat, Low Power Consumption
- Low Voltage
- Extra Long Life
- Easy To Install
- Flexible, Durable
- Weatherproof IP65

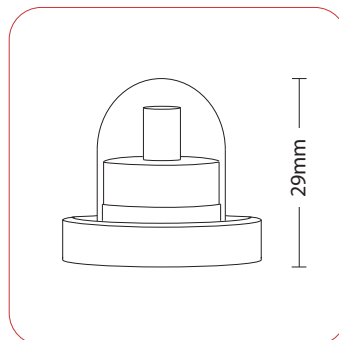


## SPECIFICATIONS

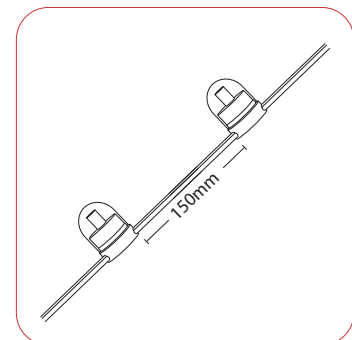
Dimensions



Bulb Size



Bulb Spacing



Item Code.	Watt/bulb	Voltage.	Colour.	Cut Unit.	IP Rating.	LED Spacing.	LEDs/pm.	Lifespan.	Roll Length.	Dimmable.	Wire Colour.
FLXCL-002	0.18w	12V	Auto RGB	1 Bulb	IP65	150mm	6	50,000h	100m	No	Clear
FLXCL-003	0.18w	12V	Warm White	1 Bulb	IP65	150mm	6	50,000h	100m	No	Clear